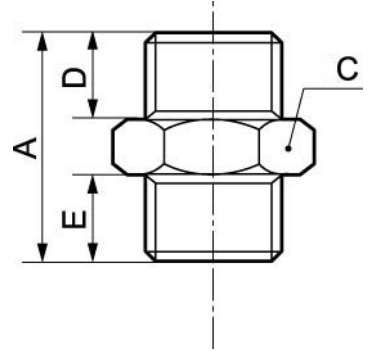


FITTING ADAPTORS - REDUCERS

Brass Hex Nipple



Min/max operating pressure

0 / 218 psi

| Part number | Male thread | Net weight (Kg) | Dim. A (inch) | Dim. C (inch) | Dim. D (inch) | Dim. E (inch) |
|-------------|-------------|-----------------|---------------|---------------|---------------|---------------|
| A1 3412 | G3/4; G1/2 | 0,0495 | 1.06 | 1.18 | 0.39 | 11 |